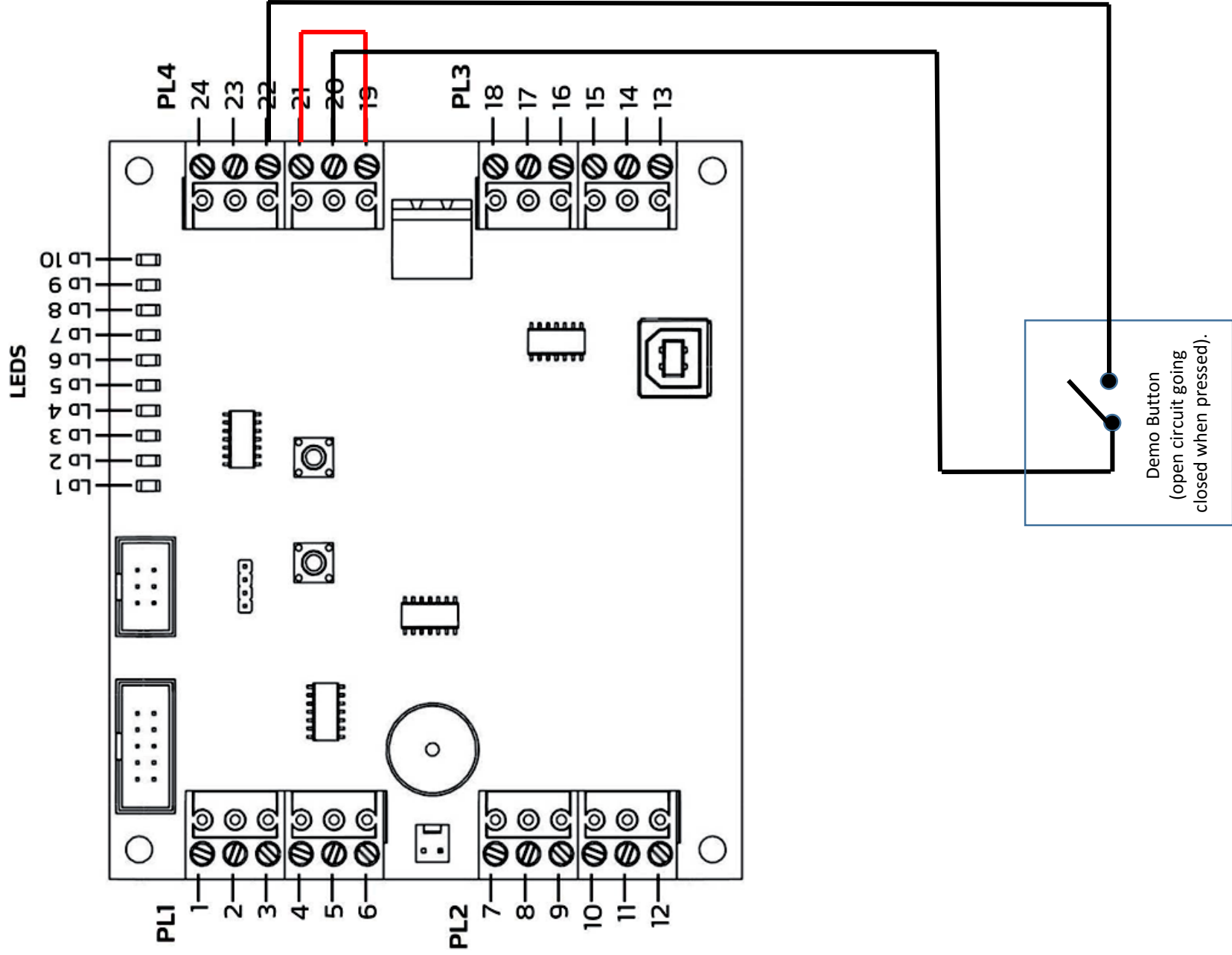


Vali demo button wiring diagram



*Note "Aux in" must be programmed as Panic