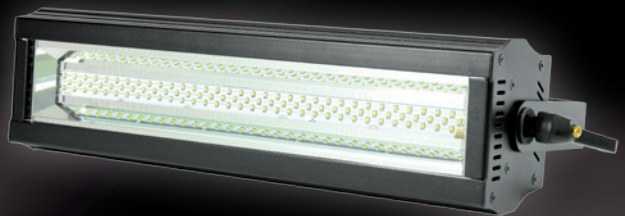




# LED Strobe

INSTALLATION AND OPERATING INSTRUCTION



Every effort has been made to ensure that the contents of this manual are correct. MSS Professional does not accept any liability for loss or damage caused or alleged to be caused directly or indirectly by this manual. The contents of the manual may be subject to change without notice. MSS Professional A/S makes no warranty of any kind with regards to this material

**MSS Professional A/S**

Reproduction in any matter whatsoever without the written permission of MSS Professional A/S is strictly forbidden.

Smokecloak is a registered trademark Smokecloak is protected by Patent Nos. 2270396, 5394139, 0659293 and 93/6722. February 2005. Ref. MSS590C

# **READ AND SAVE THESE INSTRUCTIONS**

**MSS Professional A/S**

Agerhatten 25

DK - 5220 Odense SØ

Danmark

Telefon: ++45 6473 1407

[www.smokecloak.com](http://www.smokecloak.com)

# Contents

Safety information.....	4
Introduction .....	8
Before using the product for the first time .....	8
Physical installation.....	9
Fastening the unit to a flat surface .....	9
AC power .....	10
Linking units to power in a chain .....	10
Unit overview .....	11
Triggering the LED Strobe .....	12
Maintenance .....	13
Cleaning.....	13
Replacing the primary fuse.....	14
Other service and repairs .....	14
Troubleshooting.....	15
Specifications .....	16

# Safety information



## Warning!

Read the safety precautions in this manual before installing, operating or servicing this product.

Risk Group 1 product according to EN 62471. May be harmful to the eyes. Do not stare at the light source and do not view the light output with optical instruments or any device that may concentrate the beam.

The following symbols are used to identify important safety information on the product and in this manual:



**Warning!**  
Safety hazard. Risk of severe injury or death.



**Warning!**  
Powerful light emission. Risk of eye injury.



**Warning!**  
See user manual for important safety information.



**Warning!**  
Hazardous voltage. Risk of lethal or severe electric shock.



**Warning!**  
Hot surfaces and fire hazard.



This lighting unit is for professional use only and must be installed by a qualified technician. It is not for household use. It presents risks of severe injury or death due to fire hazards, electric shock, falls, and epileptic seizure in persons who are flicker-sensitive. It produces a powerful light that can create a fire hazard or a risk of eye injury if the safety precautions below are not followed.



Install, operate and service the LED Strobe only as directed in this user manual, or you may create a safety hazard or cause damage that is not covered by product warranties.

Follow the safety precautions listed below and observe all warnings in this manual and printed on the product. Keep this user manual for future use.

For the latest user documentation and other information for this and all SmokeCloak products, please visit the SmokeCloak website at <http://www.SmokeCloak.com>

If you have any questions about how to install, operate or service the unit safely, please contact your SmokeCloak distributor.

Respect all locally applicable laws, codes and regulations when installing, operating or servicing the unit.



## **Protection from electric shock**

Do not expose the unit to rain or moisture.

Disconnect the unit from AC power before carrying out any installation or maintenance work and when the unit is not in use.

Ensure that the unit is electrically connected to ground (earth).

Use only a source of AC power that complies with local building and electrical codes and has both overload and ground-fault (earth-fault) protection.

Socket outlets or external power switches used to supply the unit with power must be located near the lighting unit and easily accessible so that the lighting unit can easily be disconnected from power.

Replace defective fuses with ones of the specified type and rating only.

Isolate the unit from power immediately if the power plug or any seal, cover, cable, or other component is damaged, defective, deformed, wet or showing signs of overheating. Do not reapply power until repairs have been completed.

Before using the unit, check that all power distribution equipment and cables are in perfect condition and rated for the current requirements of all connected devices.

Use only a Neutrik PowerCon cable connector to connect to the power input socket.

The supplied power input cable is rated 6 A and can safely supply only one unit with mains power. Do not connect any device to the unit's MAINS OUT connector when using this cable.



## Protection from burns and fire

Do not operate the unit if the ambient temperature ( $T_a$ ) exceeds 40° C (104° F).

The surface of the product casing can reach up to 55° C (131° F) during operation. Avoid contact by persons and materials. Allow the unit to cool for at least 10 minutes before handling.

Keep flammable materials well away from the unit. Keep all combustible materials (e.g. fabric, wood, paper) at least 10 cm (4 in.) away from the unit.

Ensure that there is free and unobstructed airflow around the unit. Provide a minimum clearance of 10 cm (4 in.) around fans and air vents.

Do not use the unit to illuminate surfaces within 20 cm (8 in.) of the unit. Do not attempt to bypass thermostatic switches or fuses.

Do not stick filters, masks or other materials onto any optical component.



## Protection from eye injury

The light from the LED lamp is possibly hazardous and may be harmful to the eyes. Do not stare directly into the product's light output.

Do not look at the light output with magnifiers, telescopes, binoculars or similar optical instruments that may concentrate the light output.

Ensure that persons are not looking directly into the front of the unit when the product lights up suddenly. This can happen when power is applied.



## Protection from injury

Do not operate the unit near stairways or in other locations where there is a risk of falls, in corridors or near public exits.

Fasten the unit securely to a fixed surface or structure when in use. The unit is not portable when installed.

Ensure that any supporting structure and/or hardware used can hold at least 10 times the weight of all the devices they support.

If the unit is installed in a location where it may cause injury or damage if it falls, install a secondary attachment such as a safety cable that will hold the unit if a primary attachment fails.

The secondary attachment must be approved by an official body such as TÜV as a safety attachment for the weight that it secures, must comply with EN 60598-2-17 Section 17.6.6 and must be capable of bearing a static suspended load that is ten times the weight of the unit and all installed accessories.

Check that all external covers and hardware are securely fastened.

Do not operate the unit with missing or damaged covers, shields or any optical component.

In the event of an operating problem, stop using the unit immediately and disconnect it from power. Never attempt to use a unit that is obviously damaged.

Do not modify the unit in any way.

Refer any service operation not described in this manual to a qualified technician.



## Protection from epileptic seizure

Flashing light is known to trigger epileptic seizures in persons who are flicker-sensitive.

Display advisory notices at the point of Entry.  
See label below



# Introduction

The unit is supplied with this user manual, a 1.5 m (5 ft.) power cable (local power plug not included on some versions), trigger cable and connector and a mounting bracket.

## Before using the product for the first time

1. Read 'Safety information' on page 4 before installing, operating or servicing the unit.
2. Unpack and ensure that there is no transportation damage before using the unit. Never attempt to operate a damaged unit.
3. If the unit is not going to be hard-wired to an AC mains power source, install a suitable local power plug (not supplied) on the end of the supplied power cable.
4. Before operating, ensure that the voltage and frequency of the local power source match the power requirements of the unit.



# Physical installation



**Warning! Read 'Safety information' on page 4 before installing the unit.**

The unit is designed for indoor use only and must be used in a dry location with adequate ventilation. Ensure that none of the unit's ventilation slots are blocked.

Fasten the unit to a secure surface. Do not stand it on a surface or leave it where it can be moved or fall over.

If you install the unit in a location where it may cause injury or damage if it falls, install a safety cable that will hold the unit if the primary fastening method fails.

## **Fasten the unit to a flat surface**

The unit mounting bracket can be fastened to a hard, fixed, flat surface. The unit and surface can be oriented at any angle. Ensure that the mounting surface and all fasteners used can support at least 10 times the weight of all units and equipment they will support.

# AC power



**Warning!** Read 'Safety information' on page 4 before connecting the unit to AC mains power.



**Warning!** The mains power input cable supplied with the unit is rated 6 A and can supply only one unit with mains power. Do not connect any device to the unit's MAINS OUT power throughput socket when using this input cable.

For protection from electric shock, the unit must be grounded (earthed). The power distribution circuit must be equipped with a fuse or circuit breaker and ground-fault (earth-fault) protection.

Socket outlets or external power switches used to supply the unit with power must be located near the unit and easily accessible so that the units can easily be disconnected from power.

Do not insert or remove live Neutrik PowerCon connectors to apply or cut power, as this may cause arcing at the terminals that will damage the connectors.

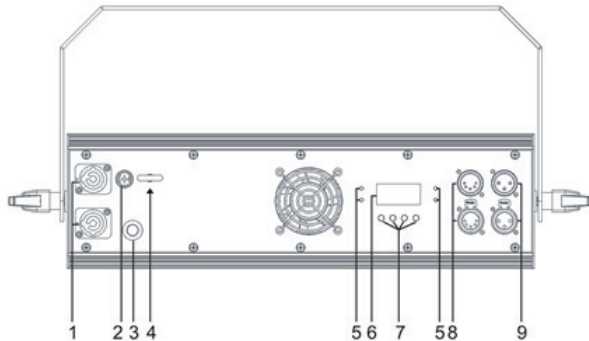
The unit can be hard-wired to a building electrical installation if you want to install it permanently or a power plug that is suitable for the local power outlets can be installed on the power cable.

If you install a power plug on the supplied power cable, install a grounding type (earthed) plug with integral cable grip that is rated minimum 250 V, 6 A. Follow the plug manufacturer's instructions and connect the wires in the power cable as shown in this table:

	Live or L	Neutral or N	Earth, Ground O
US system	Black	White	Green
US system	Brown	Blue	Yellow/green

The unit has an auto-ranging power supply that accepts AC mains power at 100-240 V at 50/60 Hz. Do not apply AC mains power at any other voltage or frequency to the unit.

# Unit overview



## 1. 5-pin DMX input/output– AC mains power input/output

Neutrik PowerCon sockets are provided to connect the fixture to mains power.

## 2. Fuse

The main fuse is located on the rear panel in a fuse holder. Replace only with one of the rating printed on the rear panel.

3. **Microphone** - Not used.

## 4. Secondary attachment point

An eyebolt is provided for attaching a safety cable (not supplied).

## 5. Status LEDs

The 4 rear panel LEDs indicate the following:

- The Slave LED will be lit when the unit is powered on and not active
- All four LEDs will flash at approximately 1 sec intervals when the unit is triggered.

## 6. Display

The display shows LED Strobe only during normal operation.

When the unit is activated the screen goes dark.

## 7. Control buttons

The buttons located below the display do not have any functional use on this product.

8. **These connectors are not used.**

## 9. 3-pin DMX input/output

The 3-pin XLR input socket is provided for triggering the unit using the supplied connector and cable.

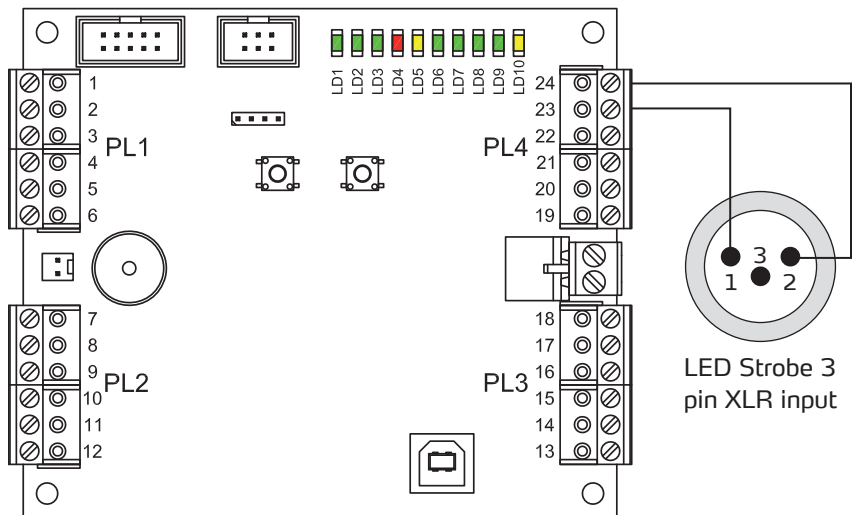
# Triggering the LED Strobe

The LED Strobe has a fixed mode of operation for the pulse duration and flash rate.

It is triggered by short circuiting the two prepared cables supplied with the unit.

This can be achieved via a system active output on your SmokeCloak device (programmed as N/O going closed when active) or via an active output on your intruder alarm system whichever is more convenient.

SmokeCloak EASY 2200 example wiring diagram:



**\*\*Note.** This diagram shows the EASY 2200 when the AUX out (pins 23 and 24) is programmed as “Backstop” and “Normally open”.

# Maintenance



**Warning! Read 'Safety information' on page 4 before servicing the unit.**

Refer any service operation not described in this user manual to a qualified service technician.

Disconnect the unit from mains power and allow to cool completely before cleaning or servicing.

Service units in an area where there is no risk of injury from failing parts, tools or other materials.

## Cleaning

Excessive dust, smoke fluid, and particle buildup degrades performance, causes overheating and will damage the unit. Damage caused by inadequate cleaning or maintenance is not covered by the product warranty.

The cleaning of the front glass must be carried out periodically to optimize light output. Cleaning schedules for lighting units vary greatly depending on the operating environment. It is therefore impossible to specify precise cleaning intervals for the unit. Environmental factors that may result in a need for frequent cleaning include:

- Use of smoke or fog machines.
- High airflow rates (near air conditioning vents, for example).
- Presence of cigarette smoke.
- Airborne dust (from stage effects, building structures and fittings or the natural environment, for example).

If one or more of these factors is present, inspect units within their first 100 hours of operation to see whether cleaning is necessary. Check again at frequent intervals. This procedure will allow you to assess cleaning requirements in your particular situation.

Use gentle pressure only when cleaning, and work in a clean, well-lit area. Do not use any product that contains solvents or abrasives, as these can cause surface damage.

## **To clean the unit:**

1. Disconnect the unit from power and allow it to cool.
2. Vacuum or gently blow away dust and loose particles from the outside of the unit and the air vents.
3. Clean glass by wiping gently with a soft, clean lint-free cloth moistened with a weak detergent solution. Do not rub the surface hard: lift particles off with a soft repeated press. Dry with a soft, clean, lint-free cloth or low- pressure compressed air. Remove stuck particles with an unscented tissue or cotton swab moistened with glass cleaner or distilled water.
4. Check that the unit is dry before reapplying power.

## **Replacing the primary fuse**

If the unit is completely dead, the unit's primary fuse may have blown and it may be necessary to install a new fuse. See 'Unit overview' on page 14 for the fuse location.

### **To replace the primary fuse:**

1. Disconnect the unit from power and allow it to cool.
2. Use a large flat-bladed screwdriver to unscrew the cap of the fuse holder.
3. Remove the blown fuse. Replace with a new one of the specified type and rating only.
4. Reinstall the fuse holder cap before reapplying power.

If the replacement fuse blows immediately, disconnect the unit from power and refer it to a qualified service technician. Do not attempt to use the unit until it is repaired.

## **Other service and repairs**

There are no user-serviceable parts inside the unit. Do not open the housing.

Do not try to carry out repairs yourself, as doing so may present a health or safety risk. It may also cause damage or malfunction, and it may void your product warranty.

# Troubleshooting

This section describes some problems that may occur and provides troubleshooting suggestions.

Symptom	Potential cause	Remedies
No light from unit, fans not working and unit appears dead.	Power supply issue such as blown fuse, faulty connector or damaged cable.	Ensure that the mains supply is supplying power to the unit. Check all power connections and cables. Replace the unit fuse.

# Specifications

## Physical

Length.....	505 mm (19.9 in.)
Width .....	140 mm (5.5 in.)
Height .....	226 mm (8.9 in.)
Weight.....	4.0 kg (8.8 lbs.)

## Dynamic Effects

Strobe rate .....	16 Hz
Strobe duration.....	0 - 10 ms (50 Hz supply), or 0 – 8.3 ms (60 Hz supply)

## Control and Programming

Control options.....	Single O/C contact input activation
----------------------	-------------------------------------

## Optics

Beam angle.....	87°
Light source.....	99 x 3 W CREE white XB-D LED
Color temperature .....	7000-8000 K
Minimum LED lifetime.....	50 000 hours (to >70% luminous output)*
*Figure obtained under test conditions	

## Construction

Color .....	Black
Housing .....	Steel and aluminum
Protection rating .....	IP 20

## Installation

Mounting points.....	Bracket with 13.5 mm holes
Orientation .....	Any
Location.....	Indoor use only, must be fastened to surface or structure
Minimum distance to illuminated surfaces .....	0.2 m (8 in.)
Minimum distance to combustible materials .....	0.1 m (4 in.)
Minimum clearance around fans and vents .....	0.1 m (4 in.)

## Electrical

AC power .....	100-240 V nominal, 50/60 Hz
Power supply unit .....	Diode bridge



## Typical power and current

110 V, 60 Hz.....	2.5 A, 250 W, PF 0.9
230 V, 50 Hz.....	2.7 A, 380 W, PF 0.6

Measurements made at nominal voltage. Allow for a deviation of +/- 10%. PF = Power Factor

## Thermal

Cooling .....	Forced air (temperature regulated, low noise)
Maximum ambient temperature (Ta max.) .....	40° C (104° F)
Minimum ambient temperature (Ta min.).....	0° C (32° F)



## Approvals

EU safety .....	EN 60598-2-17 (EN 605981-1)
EU EMC.....	EN 55015, EN55032, EN 55103-2, EN 61000-3-2, EN 61000-3-3, EN 61547

## Ordering Information

LED Strobe.....	P/N 92622050
-----------------	--------------



## Disposing of this product

SmokeCloak products are supplied in compliance with Directive 2012/19/EC of the European Parliament and of the Council of the European Union on WEEE (Waste Electrical and Electronic Equipment), where applicable. Help preserve the environment! Ensure that this product is recycled at the end of its life.

Specifications are subject to change without notice. For the latest product specifications please contact MSS Professional A/S

Supplier:



**Contact:**

MSS Professional A/S  
Agerhatten 25  
DK - 5220 Odense SØ  
Danmark

Telefon: +45 6473 1407  
[www.smokecloak.com](http://www.smokecloak.com)